

LIGHTING

LZ2S SERIES



316 STAINLESS FLUORESCENT FIXTURES



LINEARLITE® *
* marca registrada MEXICO

Class I, Div. 2, Groups A,B,C,D
Class I, Zone 2, Groups IIC, IIB, IIA
Class II, Div. 1 & 2, Group E,F,G
AEx nAll, Ex nAll
Wet Locations
NEMA 4X
IP66

Certified - File LR11713
ABS Type Approval

Applications

LINEARLITE® rugged 316 stainless fluorescent fixtures are suitable for wet, harsh, corrosive and hazardous locations. The LZ2S Series can be used in Class I, Division 2 and Zone 2 hazardous vapors and in Class II combustible dust areas typically found in refineries, chemical plants, waste water & sewage treatment facilities, as well as in tunnels, food processing and coastal areas.

ABS (American Bureau of Shipping) type approval for use on decks, vessels, platforms, barges, ships and boats. Also suitable for docks and marinas.

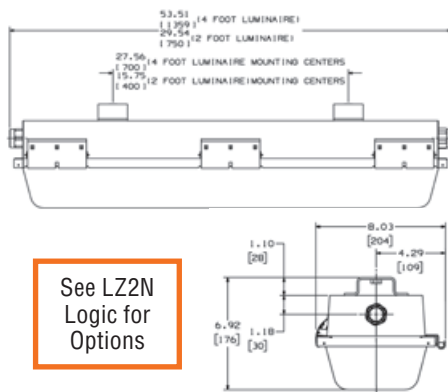
Features

- NEMA 4X & IP66 rated stainless enclosure with Lexan® impact resistant polycarbonate lens.
- Two 3/4" NPT stainless hubs - one at each end (includes aluminum 3/4" close-up plug and two 3/4" x 1/2" reducers for maximum user flexibility).
- Two 1/4" - 20 stainless bushings furnished in top of fixture for threaded rod.

Lexan® is a registered trademark of General Electric

Additional Data

- L208 - Emergency models
- L165 - Ballast data
- L166 - Mounting accessories/ Replacement parts



See LZ2N Logic for Options

LZ2S STAINLESS			
NUMBER OF LAMPS/WATTS	VOLTAGE AC 60 HZ	DESCRIPTION	LZ2S
BIAXIAL LAMP TYPE FIXTURES			
1-40W	120-277V	2' 1-Lamp Biaxial Electronic 50/60 Hz, 0°F Start 4-Pin	LZ2S40130
1-55W	120-277V	2' 1-Lamp Biaxial Electronic 50/60 Hz, 0°F Start 4-Pin	LZ2S55130
2-40W	120-277V	2' 2-Lamp Biaxial Electronic 50/60 Hz, 0°F Start 4-Pin	LZ2S40230
4-40W	120-277V	4' 4-Lamp Biaxial Electronic 50/60 Hz, 0°F Start 4-Pin	LZ2S40430
DOUBLE - ENDED LAMP TYPE FIXTURES			
2-17W	120-277V	2' 2-Lamp T-8 Electronic 50/60 Hz, 0°F Start Medium Bi-Pin	LZ2S17230
3-17W	120-277V	2' 3-Lamp T-8 Electronic 50/60 Hz, 0°F Start Medium Bi-Pin	LZ2S17330
2-28W	120-277V 50-60 Hz	4' 2-Lamp T-5 Electronic 0°F Start Miniature Bi-Pin	LZ2S28230
3-28W	120-277V 50-60 Hz	4' 3-Lamp T-5 Electronic 0°F Start Miniature Bi-Pin	LZ2S28330
2-32W k	120-277V 347V	4' 2-Lamp T-8 Electronic 50/60 Hz 0°F Start Medium Bi-Pin	LZ2S32230 ② LZ2S32215
3-32W	120-277V 347V	4' 3-Lamp T-8 Electronic 50/60 Hz 0°F Start Medium Bi-Pin	LZ2S32330 LZ2S32315
2-40W	120V 277V 230V 50 Hz④	4' 2-Lamp T-12 Electronic Medium Bi-Pin Start 50°F 40W/60°F 34W	LZ2S40201 LZ2S40204 LZ2S40208
2-44W	120V 277V	4' 2-Lamp T-8 Electronic -20°F Start High Output Recessed Double Contact	LZ2S44230
2-54W 3-54W	120-277V	4' 2-Lamp T5 Electronic 50/60 Hz, -20°F Start Miniature Bi-Pin	LZ2S54230 LZ2S54330
2-60W	120-277V	4' 2-Lamp T-12 Electronic -20°F Start High Output Recessed Double Contact	LZ2S60230

① 50 Hz ballast is magnetic.

② Add suffix 55C for 2X 32W 120V-277V # L32S32230-55C.

LZ2S, LZ2SE HAZARDOUS LOCATION APPLICATION DATA										
NUMBER OF LAMPS/WATTS	RATED AMBIENT °C	SUITABLE FOR °C SUPPLY WIRE	CLASS I, DIV. 2 MAX. SURFACE TEMP.			CLASS II, DIV. 1 & 2 MAX. SURFACE TEMP.			CLASS III DIV. 1 & 2 SUITABILITY	
			TEMP.	T-CODE	GROUPS	TEMP.	T-CODE	GROUPS		
1 X 40W BIAxIAL	40°	75	160°C	T3C	A, B, C, D	100°C	T5	E, F, G	Yes	
1 X 55W BIAxIAL	40°	60	160°C	T3C	A, B, C, D	100°C	T5	E, F, G	Yes	
2 X 40W BIAxIAL	40°	75	160°C	T3C	A, B, C, D	100°C	T5	E, F, G	Yes	
4 X 40W BIAxIAL	40°	75	160°C	T3C	A, B, C, D	100°C	T5	E, F, G	Yes	
2 X 17W	40°	60	85°C	T5	A, B, C, D	100°C	T5	E, F, G	Yes	
3 X 17W	40°	60	85°C	T5	A, B, C, D	100°C	T5	E, F, G	Yes	
2 X 28W	40°	60	120°C	T4A	A, B, C, D	100°C	T5	E, F, G	Yes	
3 X 28W	40°	60	120°C	T4A	A, B, C, D	100°C	T5	E, F, G	Yes	
2 X 32W	40°	60	85°C	T6	A, B, C, D	100°C	T5	E, F, G	Yes	
2 X 32W	55° I	90	100°C	T5	A, B, C, D	N/A	N/A	N/A	N/A	
3 X 32W	40°	60	85°C	T6	A, B, C, D	100°C	T5	E, F, G	Yes	
2 X 40W	40°	60	120°C	T4A	A, B, C, D	100°C	T5	E, F, G	Yes	
2 X 44W	40°	60	120°C	T4A	A, B, C, D	100°C	T5	E, F, G	Yes	
2 X 54W	40°	75	160°C	T3C	A, B, C, D	100°C	T5	E, F, G	Yes	
3 X 54W	35° m	75	165°C	T3B	A, B, C, D	N/A	N/A	N/A	Yes	
2 X 60W	40°	75	135°C	T4	A, B, C, D	100°C	T5	E, F, G	Yes	

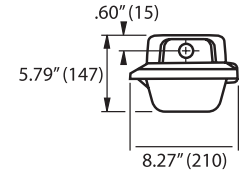
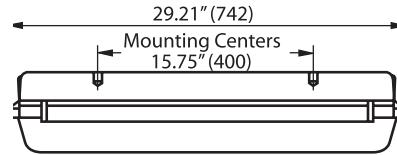
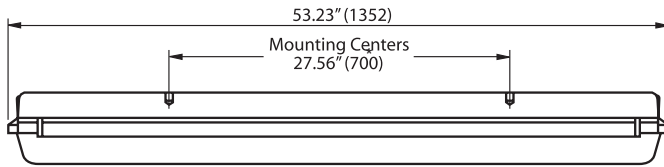
③ LZ2SE, 40°C max. battery models.

④ T-code measured at 40°C, ambient max. 30°C.



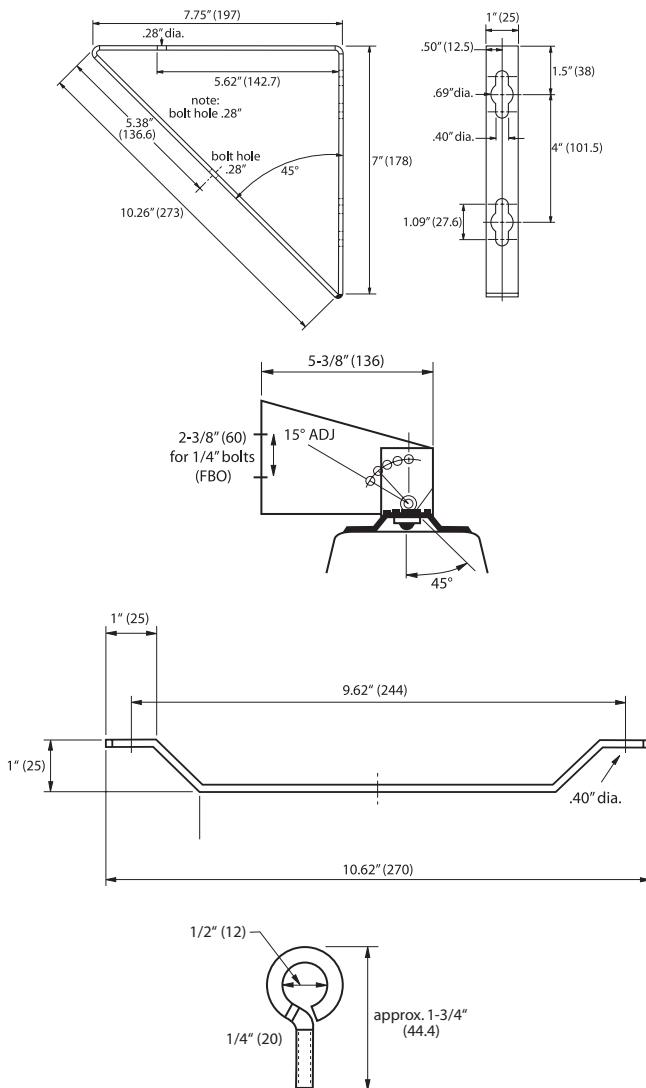
DIMENSIONS, ACCESSORIES

Dimensions LZ2N, LZ2NE Series



* Mounting Centers are 1/4-20" tapped for user all thread rod or below accessories.

Mounting Accessories for all LZ2N, LZ2S Series



Wall Bracket Set[Ⓜ]
Part Number LZWB
 Stainless Steel (natural finish)

Adjustable Wall Bracket Set[Ⓜ]
Part Number LZAB
 Stainless Steel bracket with ceramic coated pivot bolt

Ceiling Bracket Set[Ⓜ]
Part Number LZCB
 Stainless Steel (natural finish)

Eyebolt Set
Part Number LZEB
 Stainless Steel bolt with lockwasher & nut (natural finish)

Suspension Chains (2 required)
Part Number HFX-SC
 36" length plated steel chain with snap link ends. For use with LZEB

Ⓜ Dimensions in () are millimeters.
 Ⓜ Product accessories have hardware for attachment to fixture; hardware to attach to wall/ceiling F.B.O.
 NOTE: Eyebolts are 316 Series, brackets are 300 Series Stainless Steel.

REPLACEMENT PARTS:	
LZ2N4LENS	4' Lens only LZ2N/LZ2S
LZ2N2LENS	2' Lens only LZ2N/LZ2S
LZ2N4BAR	4' Locking Bar only LZ2N
LZ2N2BAR	2' Locking Bar only LZ2N
LZ2S-LATCH	Latch and Spring